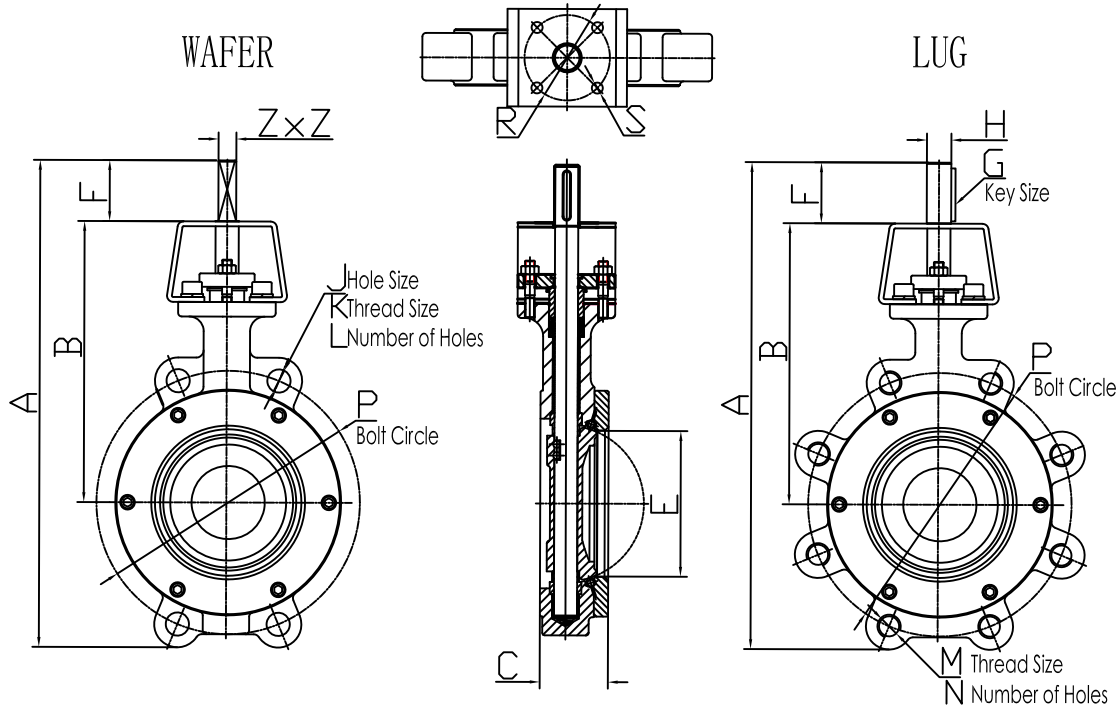


HIGH PERFORMANCE BUTTERFLY VALVE DIMENSIONS

ANSI CLASS 150

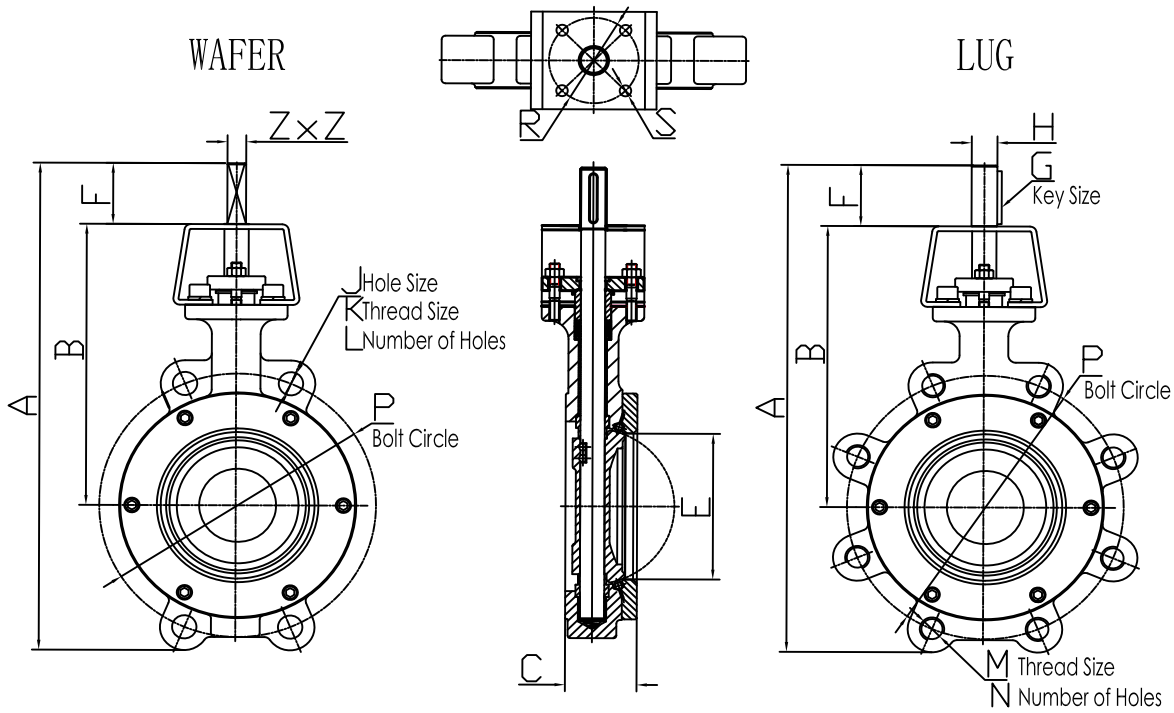


ANSI Class 150

VALVE SIZE		WAFER	LUG	B	C	E	F	Z x Z	J	K	L	M x N	P	R	S	WEIGHT (Kg)		
mm	ins	A	A	ins/mm				G	H					ins			WAFER	LUG
													mm					
50	2"	10.118 257	10.157 258	7.598 193	1.693 43	2.362 60	1.063 27	0.433*0.433 11*11				5/8-11X4	4.752 120.7	Ø70	4XØ9	4.4	4.8	
65	2½"	10.236 260	10.236 260	7.598 193	1.811 46	2.756 70	1.063 27	0.433*0.433 11*11				5/8-11X4	5.50 139.7	Ø70	4XØ9	4.9	5.3	
80	3"	11.575 294	11.378 289	8.583 218	1.929 49	3.228 82	1.063 27	0.433*0.433 11*11				5/8-11X4	6.00 152.4	Ø70	4XØ9	5.6	6.5	
100	4"	13.189 335	13.307 338	9.402 239	2.047 52	4.173 106	1.063 27	0.551*0.551 14*14				5/8-11X8	7.50 190.5	Ø70	4XØ9	8	11.5	
125	5"	14.685 373	14.764 375	10.354 263	2.205 56	5.039 128	1.181 30	0.669*0.669 17*17				3/4-10X8	8.50 215.9	Ø70	4XØ9	10.5	13.5	
150	6"	15.827 402	16.063 408	10.906 277	2.402 61	5.984 152	1.260 32	0.669*0.669 17*17				3/4-10X8	9.50 241.3	Ø70	4XØ9	13.5	16.5	
200	8"	18.346 466	18.543 471	12.480 317	2.500 63.5	7.677 195	1.772 45	0.669*0.669 17*17				3/4-10X8	11.750 298.45	Ø70	4XØ9	20.6	24.5	
250	10"	21.063 535	21.417 544	13.701 348	2.795 71	9.646 245	1.969 50	0.866*0.866 22*22	oval		2	7/8-9X12	14.250 361.95	Ø102	4XØ11	39	45.5	
300	12"	24.066 625	24.803 630	15.748 400	3.228 82	11.496 292	2.362 60	1.063*1.063 27*27	oval		2	7/8-9X12	17.00 431.8	Ø140	4XØ18	55	67.5	
350	14"	28.031 712	27.598 701	16.417 417	3.622 92	13.346 339	2.362 60	1.063*1.063 27*27	oval		4	1-8X12	18.750 476.25	Ø140	4XØ18	68	115	
400	16"	31.181 792	31.181 792	18.740 476	4.008 101.8	15.236 387	3.150 80	1.063*1.063 27*27	oval		4	1-8X16	21.250 539.75	Ø165	4XØ21	116	132	
450	18"	35.315 897	35.315 897	22.205 564	4.512 114.6	17.130 435	3.543 90	1.417*1.417 36*36	oval		4	1½-8X16	22.750 577.85	Ø165	4XØ21	145	168	
500	20"	37.992 965	37.992 965	23.543 598	5.000 127	19.291 490	3.543 90	1.417*1.417 36*36		1½-8	4	1½-8X20	25.0 635.0	Ø165	4XØ21	185	220	
600	24"	43.189 1097	43.189 1097	26.457 672	6.043 153.5	23.031 585	4.331 110	1.811*1.811 46*46		1¼-8	4	1¼-8X20	29.50 749.3	Ø165	4XØ21	290	310	
650	26"	45.906 1166	45.906 1166	27.874 708	6.496 165	25.200 640	4.331 110	1.811*1.811 46*46		1¼-8	4	1¼-8X24	31.750 806.45	Ø165	4XØ21	330	345	
700	28"	48.504 1232	48.504 1232	29.055 738	6.496 165	27.165 690	4.331 110	1.811*1.811 46*46		1¼-8	4	1¼-8X28	34.0 863.6	Ø165	4XØ21	495	579	
750	30"	51.260 1302	51.260 1302	30.433 773	7.520 191	28.307 719	4.724 120	0.866 22	3.150 80		1¼-8	4	1¼-8X28	36.0 914.4	Ø165	4XØ21	652	773
800	32"	53.425 1357	53.425 1357	31.339 796	7.520 191	30.200 767	4.724 120	0.866 22	3.150 80		1½-8	4	1½-8X28	38.50 977.9	Ø165	4XØ21	736	922
850	34"	56.850 1444	56.850 1444	33.701 856	7.756 197	32.126 816	4.724 120	0.866 22	3.150 80		1½-8	4	1½-8X32	40.50 1028.7	Ø254	8XØ17	842	1047
900	36"	59.134 1502	59.134 1502	36.417 925	8.268 210	34.016 864	4.724 120	0.866 22	3.150 80		1½-8	4	1½-8X32	42.750 1085.85	Ø254	8XØ17	871	1160
1000	40"	64.331 1634	64.331 1634	37.520 953	9.488 241	37.008 940	5.118 130	0.984 25	4.134 105		1½-8	4	1½-8X36	47.250 1200.15	Ø254	8XØ17	1728	1779
1050	42"	66.535 1690	66.535 1690	38.543 979	9.488 241	39.055 992	5.118 130	0.984 25	4.134 105		1½-8	4	1½-8X36	49.50 1257.3	Ø254	8XØ17	1905	1930
1200	48"	74.685 1897	74.685 1897	43.386 1102	10.000 254	46.102 1171	5.118 130	1.260 32	4.528 115		1½-8	4	1½-8X44	56.0 1422.4	Ø298	8XØ22	2074	2548
1350	54"	82.283 2090	82.283 2090	47.598 1209	10.748 273	52.441 1332	5.906 150	1.417 36	5.512 140		1¾-8	4	1¾-8X44	62.750 1593.85	Ø298	8XØ22	3175	3210

HIGH PERFORMANCE BUTTERFLY VALVE DIMENSIONS

ANSI CLASS 300



DOUBLE OFFSET HIGH PERFORMANCE BUTTERFLY VALVES

ANSI Class 300

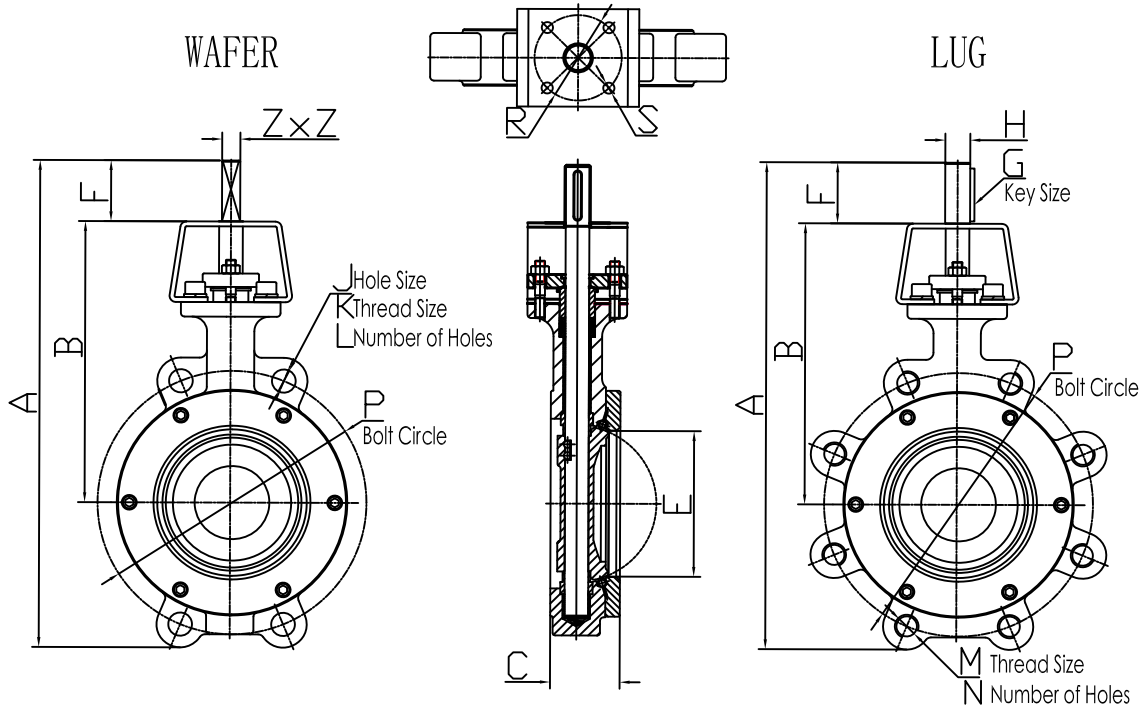
VALVE SIZE	WAFER	LUG	B	C	E	F	Z x Z		J	K	L	M x N	P ins mm	R	S	WEIGHT (Kg)	
							G	H								WAFER	LUG
50	2"	10.118 257	10.472 266	7.480 190	1.693 43	2.362 60	1.063 27	0.433*0.433 11*11	oval		4	5/8-11X8	5.00 127	ø70	4Xø9	4.5	6.1
65	2 1/2"	10.236 260	10.906 277	7.480 190	1.811 46	2.717 69	1.063 27	0.433*0.433 11*11				3/4-10X8	5.878 149.3	ø70	4Xø9	5	7
80	3"	11.575 294	12.244 311	8.504 216	1.929 49	3.228 82	1.063 27	0.433*0.433 11*11				3/4-10X8	6.625 168.28	ø70	4Xø9	6.5	9
100	4"	13.150 335	13.740 349	9.252 235	2.047 52	4.173 106	1.063 27	0.551*0.551 14*14				3/4-10X8	7.878 200.1	ø70	4Xø9	8	14
125	5"	14.685 373	15.118 384	10.00 254	2.244 57	5.039 128	1.181 30	0.669*0.669 17*17				3/4-10X8	9.250 234.9	ø70	4Xø9	10.5	16.5
150	6"	15.866 403	16.850 428	10.945 278	2.402 61	5.984 152	1.260 32	0.669*0.669 17*17				3/4-10X12	10.618 269.7	ø70	4Xø9	16.5	22
200	8"	19.094 485	19.685 500	12.756 324	2.835 72	7.677 195	1.970 50	0.866*0.866 22*22				7/8-9X12	13.00 330.2	ø102	4Xø11	35	41
250	10"	21.614 549	22.598 574	14.016 356	3.268 83	9.724 247	2.362 60	1.063*1.063 27*27	oval		2	1-8X16	15.250 387.3	ø102	4Xø11	53	64
300	12"	26.299 668	26.299 668	16.811 427	3.622 92	11.575 294	2.756 70	1.063*1.063 27*27	oval		2	1 1/8-8X16	17.750 450.8	ø140	4Xø18	77	90
350	14"	30.433 773	30.433 773	18.386 467	4.646 118	13.465 342	3.150 80	1.417*1.417 36*36		1 1/8-8	4	1 1/8-8X20	20.250 514.3	ø165	4Xø21	124	146
400	16"	35.512 902	35.512 902	23.110 587	5.354 136	15.236 387	3.150 80	1.417*1.417 36*36		1 1/4-8	4	1 1/4-8X20	22.50 571.5	ø165	4Xø21	165	220
450	18"	38.189 970	38.189 970	24.646 626	5.984 152	17.322 440	3.543 90	1.417*1.417 36*36		1 1/4-8	4	1 1/4-8X24	24.750 628.6	ø165	4Xø21	218	315
500	20"	44.616 1134	44.616 1134	26.535 674	6.339 161	19.370 492	3.937 100	1.811*1.811 46*46		1 1/4-8	4	1 1/4-8X24	27.00 685.8	ø165	4Xø21	298	410
600	24"	48.386 1229	48.386 1229	30.709 780	7.165 182	23.110 587	4.724 120	0.866 22	3.150 80	1 1/2-8	4	1 1/2-8X24	32.00 812.8	ø254	8Xø17	340	495
750	30"	56.614 1438	56.614 1438	34.252 870	8.858 225	28.425 722	5.118 130	0.984 25	4.134 105	1 3/4-8	4	1 3/4-8X28	39.250 996.95	ø254	8Xø17	867	1150
900	36"	65.394 1661	65.394 1661	40.551 1030	10.669 271	34.016 864	5.906 150	1.260 32	4.528 115	1 3/4-8	4	1 3/4-8X32	46.00 1168.4	ø298	8Xø22	1230	1540
1050	42"	68.268 1734	68.268 1734	43.189 1097	11.496 292	39.291 998	6.299 160	1.417 36	5.512 140	1 5/8-8	4	1 5/8-8X32	47.50 1206.6	ø298	8Xø22	1760	2390
1200	48"	75.512 1918	75.512 1918	47.441 1205	12.520 318	46.457 1180	7.087 180	1.575 40	6.299 160	1 7/8-8	4	1 7/8-8X32	54.00 1371.6	ø356	8Xø32	2270	2890

NOTE:

Drawings are for reference only. Please contact factory for separate drawing for each size .

HIGH PERFORMANCE BUTTERFLY VALVE DIMENSIONS

ANSI CLASS 600



ANSI Class 600

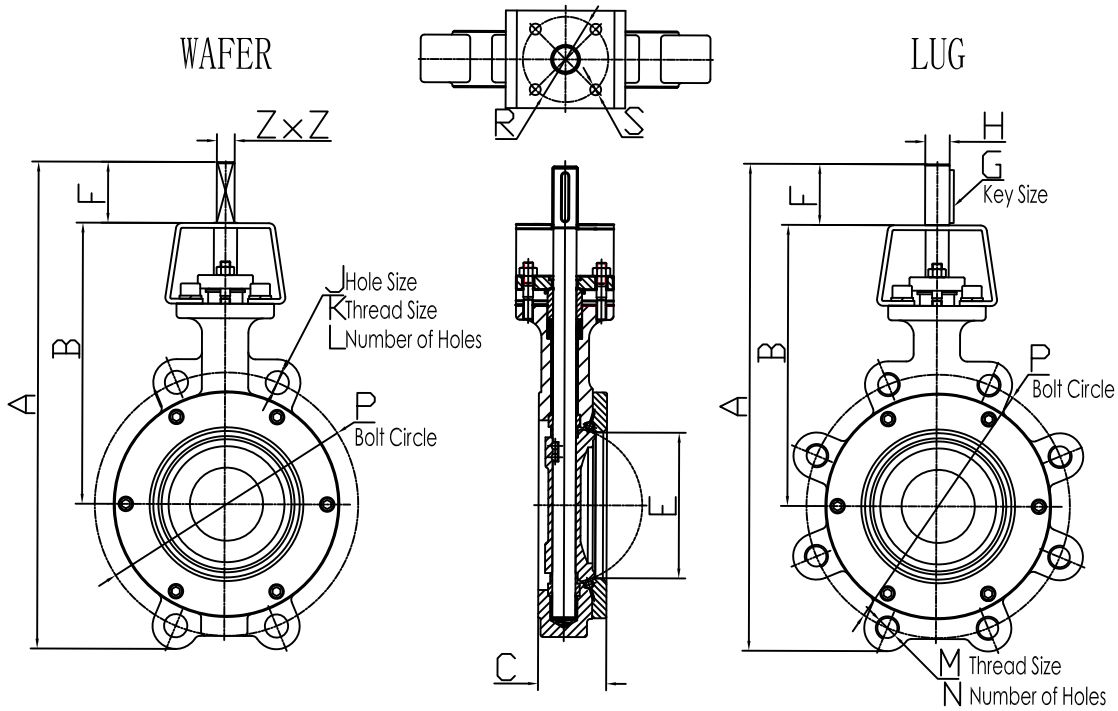
VALVE SIZE	WAFER		LUG		B	C	E	F	ZxZ		J	K	L	M x N	P ins mm	R mm	S mm	WEIGHT (Kg)	
	mm	ins	A	A					ins/mm									G	H
50	2"	10.512 267	10.512 267	7.835 199	1.929 49	2.126 54	1.063 27	0.551*0.551 14*14	oval			4	5/8-11X8	5.00 127	ø70	4Xø9	7.5	8.5	
65	2½"	10.512 267	10.906 277	7.835 199	2.047 52	2.598 66	1.063 27	0.551*0.551 14*14					3/4-10X8	5.878 149.3	ø70	4Xø9	8.2	9.5	
80	3"	12.165 309	12.559 319	8.898 226	2.205 56	3.031 77	1.181 30	0.669*0.669 17*17					3/4-10X8	6.618 168.1	ø70	4Xø9	10.5	13	
100	4"	14.173 360	14.370 365	9.724 247	2.756 70	4.016 102	1.181 30	0.669*0.669 17*17					7/8-9X8	8.50 215.9	ø70	4Xø9	18.5	25	
150	6"	18.071 459	18.071 459	11.811 300	3.346 85	5.748 146	2.165 55	1.063*1.063 27*27		1-8	2		1-8X12	11.50 292.1	ø102	4Xø11	35	53	
200	8"	22.913 582	22.913 582	13.937 354	4.213 107	7.401 188	2.362 60	1.063*1.063 27*27		1½-8	4		1½-8X12	13.75 349.3	ø102	4Xø11	67	101	
250	10"	26.229 668	26.229 668	15.433 392	4.803 122	9.252 235	2.362 60	1.260*1.260 32*32		1¼-8	4		1¼-8X16	17.00 431.8	ø165	4Xø21	120	175	
300	12"	30.315 770	30.315 770	18.307 465	5.512 140	11.260 286	2.362 60	1.260*1.260 32*32		1¼-8	4		1¼-8X20	19.250 489.0	ø165	4Xø21	170	230	
350	14"	35.276 896	35.276 896	22.362 568	6.103 155	12.835 326	2.953 75	1.417*1.417 36*36		1½-8	4		1½-8X20	20.750 527.1	ø165	4Xø21	231	327	
400	16"	39.567 1005	39.567 1005	24.843 631	7.008 178	14.843 377	3.543 90	1.811*1.811 46*46		1½-8	4		1½-8X20	23.750 603.3	ø165	4Xø21	325	482	
450	18"	45.551 1157	45.551 1157	29.685 754	7.756 197	16.654 423	3.937 100	0.866 22	3.150 80		1½-8	4	1½-8X20	25.750 654.1	ø254	8Xø17	480	652	
500	20"	49.370 1254	49.370 1254	31.732 806	8.504 216	18.465 469	4.724 120	0.984 25	4.134 105		1½-8	4	1½-8X24	28.50 723.9	ø254	8Xø17	605	815	
600	24"	58.780 1493	58.780 1493	31.260 794	9.134 232	22.283 566	5.906 150	1.260 32	4.528 115		1½-8	4	1½-8X24	33.00 838.2	ø298	8Xø22	950	1285	

NOTE:

Drawings are for reference only. Please contact factory for separate drawing for each size.

HIGH PERFORMANCE BUTTERFLY VALVE DIMENSIONS

PN16/PN25

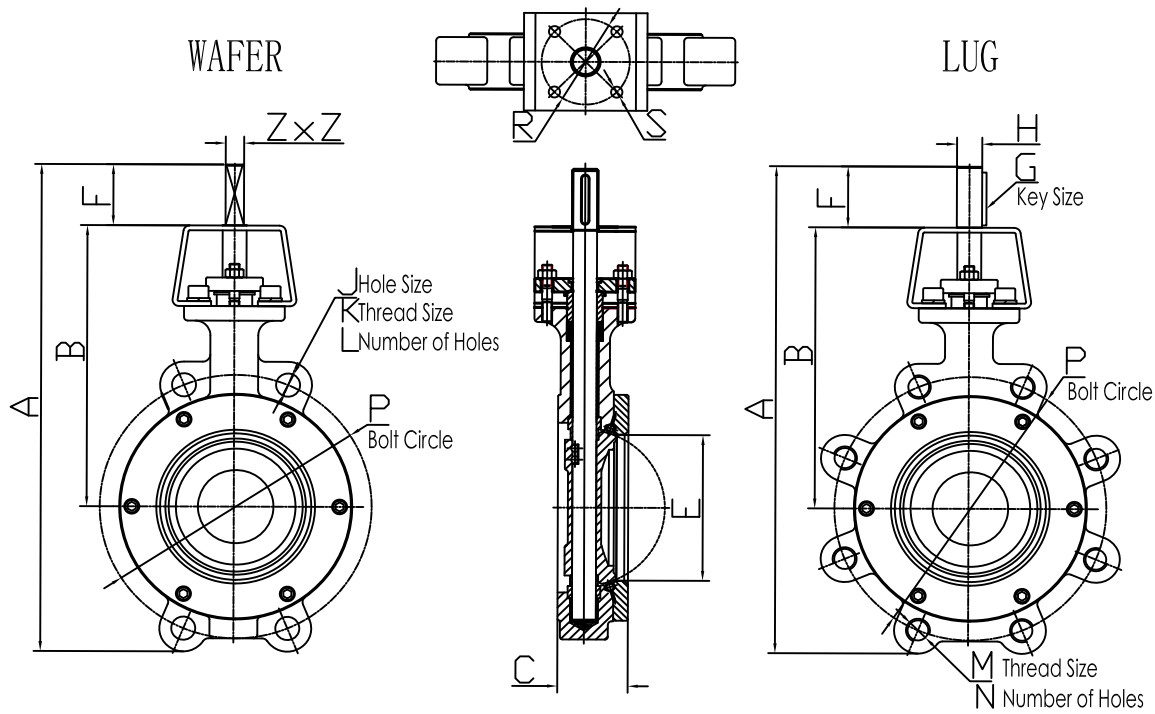


PN 1.6 MPa / PN 2.5 MPa

VALVE SIZE	WAFER	LUG	B	C	E	F	Z x Z		J	K	L	M x N	P	R	S	WEIGHT (Kg)	
DN	ins	A					A	G								H	PN1.6
50	2"	257	258	193	43	60.12	27	11*11				M16X4 M16X4	125	φ70	4Xφ9	4.4	4.8
65	2½"	260	260	193	46	69.5	27	11*11				M16X4 M16X8	145	φ70	4Xφ9	4.9	5.3
80	3"	294	289	218	49	82.44	27	11*11				M16X8 M16X8	160	φ70	4Xφ9	5.6	6.5
100	4"	335	338	239	52	105.7	27	14*14				M16X8 M20X8	180 190	φ70	4Xφ9	8	11.5
125	5"	373	375	263	56	128.06	30	17*17				M16X8 M24X8	210 220	φ70	4Xφ9	10.5	13.5
150	6"	402	408	277	61	151.8	32	17*17				M20X8 M24X8	240 250	φ70	4Xφ9	13.5	16.5
200	8"	466	471	317	63.5	195.3	45	17*17				M20X12 M27X12	295 310	φ70	4Xφ9	20.6	24.5
250	10"	535	544	348	71	244.7	50	22*22	oval		2	M24X12 M21X12	355 370	φ102	4Xφ11	39	45.5
300	12"	625	630	400	82	291.9	60	27*27	oval		2	M24X12 M27X16	410 430	φ140	4Xφ18	55	67.5
350	14"	712	701	417	92	339.2	60	27*27	oval		4	M24X16 M30X16	470 490	φ140	4Xφ18	68	115
400	16"	792	792	476	101.8	387.4	70	27*27	oval		4	M27X16 M33X16	525 550	φ165	4Xφ21	116	132
500	20"	965	965	598	127	489.8	90	36*36		M30 M33	4	M30X20 M33X20	650 660	φ165	4Xφ21	185	220
600	24"	1097	1097	672	153.5	585.4	110	46*46		M33 M36	4	M33X20 M36X20	770 770	φ165	4Xφ21	290	310
700	28"	1232	1232	738	165	689.9	148.7	46*46		M33 M39	4	M33X24 M39X24	840 875	φ165	4Xφ21	495	579
800	32"	1357	1357	796	191	767.1	148.7	22	80	M36 M45	4	M36X24 M45X24	950 990	φ165	4Xφ21	736	922
900	36"	1502	1502	925	210	864.0	158.2	22	80	M36 M45	4	M36X28 M45X28	1050 1090	φ254	8Xφ17	871	1160
1000	40"	1634	1634	953	241	940.0	158.2	25	105	M39 M52	4	M39X28 M52X28	1170 1210	φ254	8Xφ17	1728	1779
1200	48"	1897	1897	1102	254	1171.0	178.2	32	115	M45 M52	4	M45X32 M52X32	1390 1420	φ298	8Xφ22	2074	2548
1350	54"	2090	2090	1209	273	1332.0	178.2	36	140	M45 M56	4	M45X36 M56X36	1590 1640	φ298	8Xφ22	3175	3210

HIGH PERFORMANCE BUTTERFLY VALVE DIMENSIONS

PN40



PN4.0 MPa

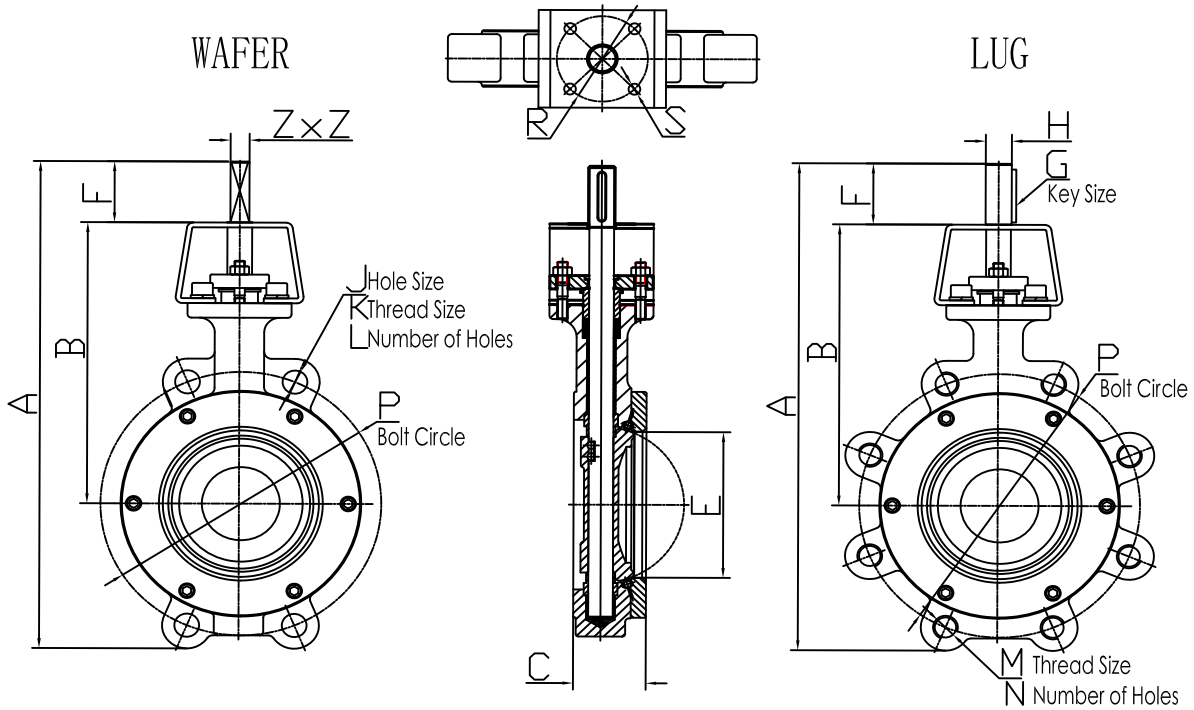
VALVE SIZE		WAFER	LUG	B	C	E	F	Z x Z		J	K	L	M x N	P mm	R mm	S mm	WEIGHT (Kg)		
DN	ins	A	A					G	H								WAFER	LUG	
50	2"	257	266	190	43	60	27	11*11	oval			4	M16X4	125	φ70	4Xφ9	4.5	6.1	
65	2½"	260	277	190	46	69	27	11*11					M16X8	145	φ70	4Xφ9	5	7	
80	3"	294	311	216	49	82	27	11*11					M16X8	160	φ70	4Xφ9	6.5	9	
100	4"	335	349	235	52	106	27	14*14					M20X8	190	φ70	4Xφ9	8	14	
125	5"	373	384	254	57	128	30	17*17					M24X8	220	φ70	4Xφ9	10.5	16.5	
150	6"	403	428	278	61	152	32	17*17					M24X8	250	φ70	4Xφ9	16.5	22	
200	8"	485	500	324	72	195	50	22*22					M27X12	320	φ102	4Xφ11	35	41	
250	10"	549	574	356	83	247	60	27*27	oval			2	M30X12	385	φ102	4Xφ11	53	64	
300	12"	668	668	427	92	294	70	27*27	oval			2	M30X16	450	φ140	4Xφ18	77	90	
350	14"	773	773	467.1	118	342	80	36*36		M33		4	M33X16	510	φ165	4Xφ21	124	146	
400	16"	902	902	586.5	136	387	80	36*36		M36		4	M36X16	585	φ165	4Xφ21	165	220	
450	18"	970	970	626	152	440	90	36*36		M36		4	M36X20	610	φ165	4Xφ21	218	315	
500	20"	1134	1134	674	161	492.1	100	45*45		M39		4	M39X20	670	φ165	4Xφ21	298	410	
600	24"	1229	1229	780	182	587	120	22	80		M45		4	M45X20	795	φ254	8Xφ17	340	495
700	28"	1355	1355	840	225	667	130	25	105		M45		4	M45X24	900	φ254	8Xφ17	530	660
900	36"	1661	1661	1030	271	864	150	32	115		M52		4	M52X28	1140	φ298	8Xφ22	1230	1540
1000	40"	1710	1710	1055	292	910	160	36	140		M52		4	M52X28	1250	φ298	8Xφ22	1450	1980
1200	48"	1918	1918	1205	318	1180	180	40	160		M56		4	M56X32	1371.6	φ356	8Xφ32	2270	2890

NOTE:

Drawings are for reference only. Please contact factory for separate drawing for each size.

HIGH PERFORMANCE BUTTERFLY VALVE DIMENSIONS

PN100



PN 10 . 0 M P a

VALVE SIZE	WAFER	LUG	B	C	E	F	Z x Z		J	K	L	M x N	P mm	R mm	S mm	WEIGHT (kg)		
	A	A					G	H								WAFER	LUG	
50	2"	267	267	199	49	54.1	27	14*14	oval		4	M24X8	145	ø70	4Xø9	7.5	8.5	
65	2½"	267	277	199	52	64.6	27	14*14				M24X8	170	ø70	4Xø9	8.2	9.5	
80	3"	309	319	226	56	77.4	30	17*17				M24X8	180	ø70	4Xø9	10.5	13	
100	4"	360	365	247	70	101.8	30	17*17				M27X8	210	ø70	4Xø9	18.5	25	
150	6"	459	459	300	85	145.6	55	27*27		M30	2	M30X12	290	ø102	4Xø11	35	53	
200	8"	582	582	354	107	188.7	60	27*27		M33	4	M33X12	360	ø102	4Xø11	67	101	
250	10"	668	668	392	122	235.1	60	32*32		M36	4	M36X12	430	ø165	4Xø21	120	175	
300	12"	770	770	465	140	285.7	60	32*32		M39	4	M39X16	500	ø165	4Xø21	170	230	
350	14"	896	896	568	155	326.2	75	36*36		M45	4	M45X16	560	ø165	4Xø21	231	327	
400	16"	1005	1005	631	178	377.3	90	46*46		M45	4	M45X16	620	ø165	4Xø21	325	482	
500	20"	1254	1254	806	216	468.6	120	25	105		M52	4	M52X20	760	ø254	8Xø17	605	815
600	24"	1493	1493	794	232	565.5	150	32	115		M56	4	M56X20	875	ø298	8Xø22	950	1285

NOTE:

Drawings are for reference only. Please contact factory for separate drawing for each size.