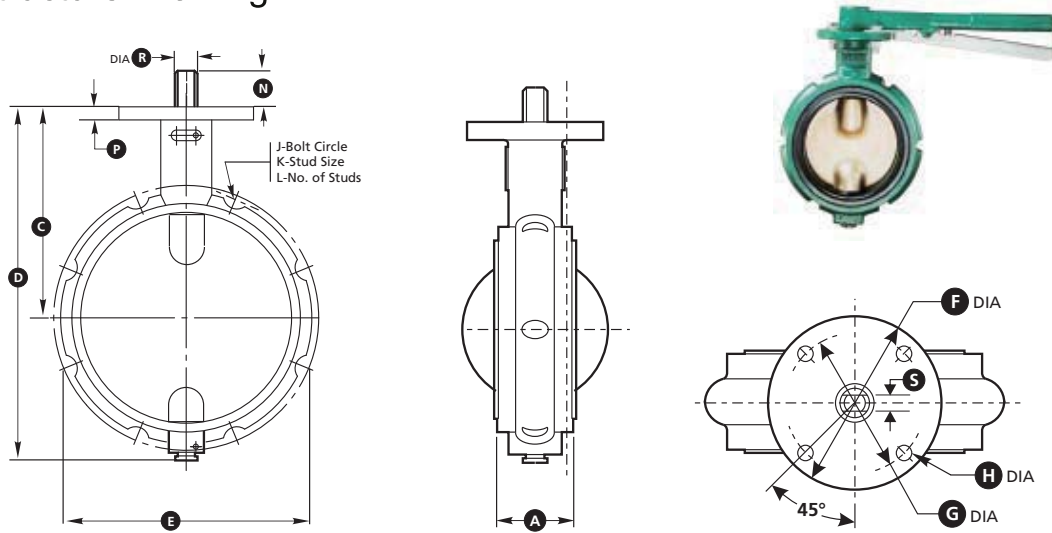


The BUV-1106 Series butterfly valves are designed short neck with body notched to fit lightweight flanges and for working areas of limited space. They are specially ideal for mining, dry bulk material handling, transportation.

### Structure Drawing



**BUV-1106**

### Materials of Construction

No.	Description	Material
1	Body	Cast iron ASTM A126, Ductile Iron ASTM A536, WCB Gr 216 *
2	Disc	Ductile Iron (Ni Plated), Aluminum Bronze, CF8M (316 SS), CF8 (304 SS), Ductile Iron (Nylon Coated)*
3	Stem	416 Stainless Steel, 304 Stainless Steel, 316 Stainless Steel, Monel*
4	Seat	BUNA-N, EPDM, FKM(Viton)
5	Retainer Pin	ASTM Gr. 1065 Steel
6	O-ring	BUNA-N (Viton Optional)
7	Bushing	Aluminum Bronze, PTFE

\*Asterisk denotes factory availability only

### DIMENSIONAL DATA

unit : inch

Size	A	C	D	E	F	G	H	J	K	L	N	P	R	S
2"	1.74	3.94	6.75	4.12	4.00	3.25	0.408	4.27	3/8	4	1.00	0.44	0.625	0.375
2.5"	1.86	4.44	7.50	4.88	4.00	3.25	0.408	5.31	3/8	4	1.00	0.44	0.625	0.375
3"	1.86	4.88	8.19	5.38	4.00	3.25	0.408	4.91	3/8	6	1.00	0.44	0.625	0.375
4"	2.11	6.00	9.88	6.88	4.00	3.25	0.408	7.03	1/2	6	1.00	0.44	0.625	0.375
5"	2.24	6.00	10.38	7.75	4.00	3.25	0.408	7.56	1/2	6	1.25	0.44	0.838	0.500
6"	2.24	6.50	11.50	8.75	4.00	3.25	0.408	9.16	1/2	8	1.25	0.44	0.838	0.500
8"	2.54	8.06	14.19	11.00	6.00	5.00	0.533	11.72	5/8	8	1.38	0.56	0.838	0.500
10"	2.74	9.97	17.41	13.38	6.00	5.00	0.533	13.72	5/8	8	1.38	0.56	0.963	0.625
12"	3.24	10.91	20.41	16.12	6.00	5.00	0.533	16.62	1/2	12	1.38	0.56	1.338	0.750