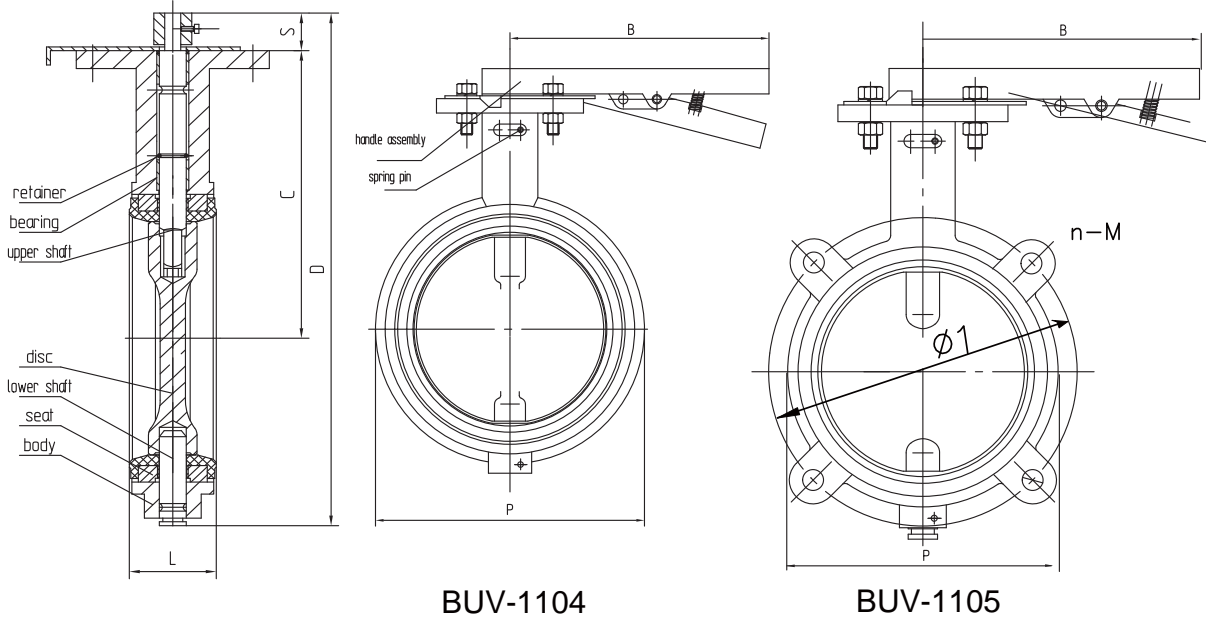


## Structure Drawing



BUV-1104

BUV-1105

## Materials of Construction

No.	Description	Material
1	Body	Cast Iron ASTM A126, Ductile Iron ASTM A536, WCB Gr 216A
2	Disc	Ductile Iron (Ni Plated), Ductile Iron (Nylon Coated)*, Aluminum Bronze, CF8M (316 SS), CF8 (304 SS)
3	Stem	416 Stainless Steel, 304 Stainless Steel, 316 Stainless Steel, Monel*
4	Seat	BUNA-N, EPDM, FKM(Viton), Hypalon*
5	Retainer Pin	ASTM Gr. 1065 Steel
6	O-ring	BUNA-N (Viton* Optional)
7	Bushing	Aluminium Bronze, PTFE

\*Asterisk denotes factory availability only

unit : inch

Size	ø1	P	B	D	C	L	S	n-M
2"	4.75	4.12	9.65	9.44	5.62	1.74	1.00	4-5/8-11
2.5"	5.50	4.88	9.65	10.19	6.12	1.86	1.00	4-5/8-11
3"	6.00	5.38	9.65	10.70	6.38	1.86	1.00	4-5/8-11
4"	7.50	6.88	9.65	12.00	7.12	2.11	1.00	8-5/8-11
5"	8.50	7.75	11.06	13.37	7.75	2.24	1.25	8-3/4-10
6"	9.50	8.75	11.06	14.5	8.25	2.24	1.25	8-3/4-10
8"	11.75	11.0	14.96	16.94	9.44	2.54	1.38	8-3/4-10
10"	14.25	13.38	14.96	20.07	11.25	2.74	1.38	12-7/8-9
12"	17.00	16.12	22.05	23.07	12.19	3.24	1.38	12-7/8-9



Series BUV-1104/1105